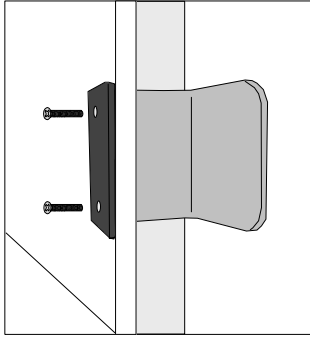
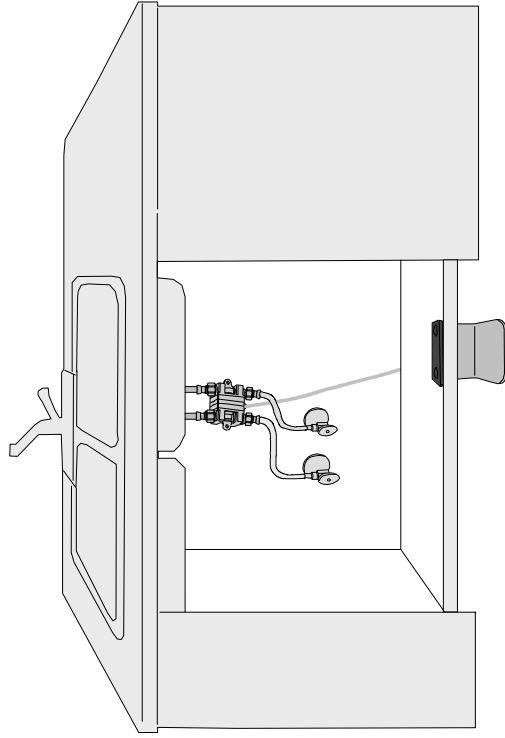


3. Use provided #10 screws in length 1" or 3/4" depending on cabinet thickness to attach pedal. (FIG.5)

**FIG. 5**

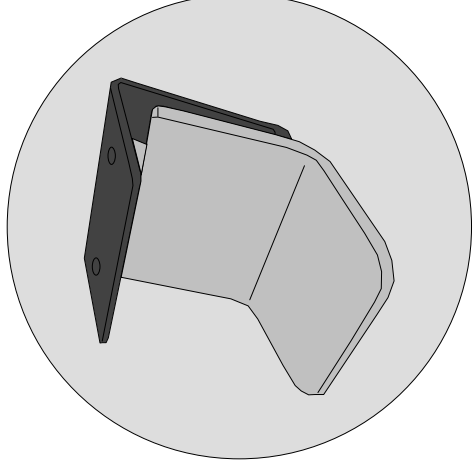
4. Press the pedal on depressed position, open the faucet, and adjust it to the desired water temperature and flow rate.  
As long as the pedal is depressed, water will flow from the faucet.  
When the pedal is released, the water flow stops.

**CAUTION:**

During installation, avoid bending valve actuating. Any bending needs to be smooth.

Model: **AG250-203**

**TAP-A-FLOW™  
KITCHEN / BATHROOM  
PEDAL  
STAINLESS STEEL FINISH**

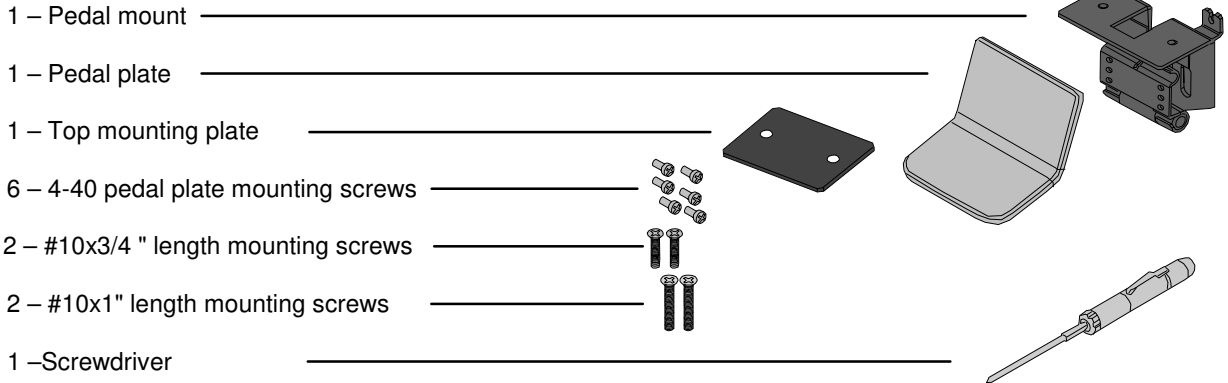


Part No.  
**AG250-203**

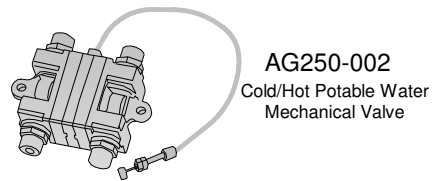
# AG250-203

## Installation Procedures

### LIST OF PARTS ENCLOSED

- 1 – Pedal mount
  - 1 – Pedal plate
  - 1 – Top mounting plate
  - 6 – 4-40 pedal plate mounting screws
  - 2 – #10x3/4 " length mounting screws
  - 2 – #10x1" length mounting screws
  - 1 –Screwdriver
- 

**The AG250-203, in combination with AG250-002 valve, provides hands-free faucet operation. Valve is ordered separately.**

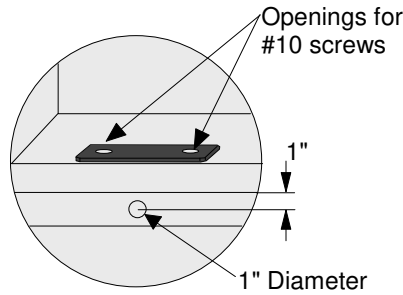


Please read the instructions once through before starting.

### PEDAL INSTALLATION INSTRUCTIONS

1. Apply top mounting plate at the edge of the cabinet and mark position of mounting screws. Drill two holes for #10 screws. (13/64"). (FIG.1)

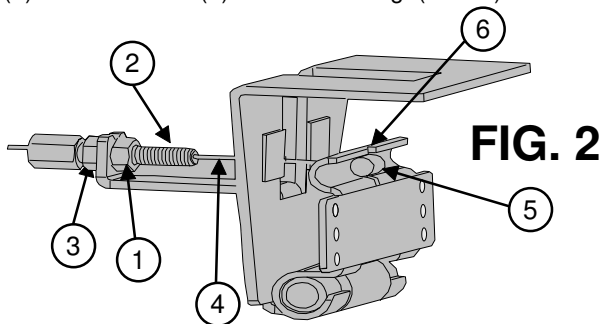
Measure 1" from the bottom of cabinet aligned with top mounting plate, drill 1" hole under the cabinet plate. (FIG.1)



**FIG. 1**

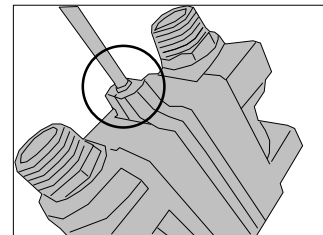
2. Pass cable from the AG250-002 valve through the 1" opening under the cabinet plate and connect it to the pedal AG250-103.

Unscrew the front nut (1) on the valve cable and insert the cable (4) through the slot on the back side of support bracket AG250-203 pedal. The rear nut (3) remains at the end of the thread (2). Adjust cable holder (2) for proper pedal operation and secure its position with nuts (1) and (3). Control cable (4) should be snug. (FIG. 2)



**FIG. 2**

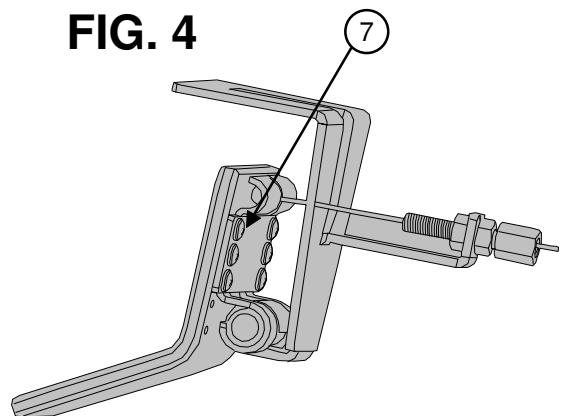
Verify that valve actuating cable is inside the valve receptacle( FIG.3)



**FIG. 3**

Insert valve cable end T-bar (5) into the pedal lever (6) (FIG. 2)

3. Connect pedal plate to the pedal mount using six provided 4-40 screws (7). (FIG. 4)



**FIG. 4**