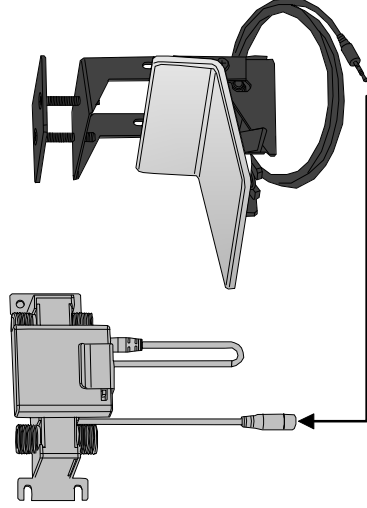


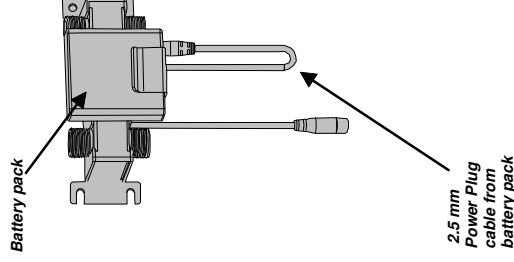
VALVE TO PEDAL CONNECTION (SEE FIG. 2)

1. Connect 3.5mm Female Cable from the valve to the 3.5mm Male Cable on the pedal. See pedal installation on manual for the pedal.

FIG. 2**CAUTION:**

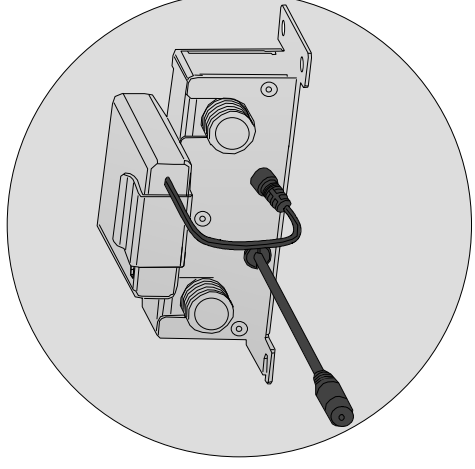
AG250-003 Valve is battery operated (AA type, 4pcs included)
Change battery instruction.

1. Disconnect cable connection between battery pack and valve.
2. Remove Battery pack from valve body.
3. Open battery pack by removing a screw on the bottom of battery pack.
4. Replace batteries, following "+" and "-" sign.
5. Close battery pack by installing the screw. Install battery pack into valve unit in original place. Squeeze metal tab if needed to hold battery pack in place.
6. Connect 2.5 mm power plug cable from battery pack to 2.5mm power jack on the valve body (see FIG 3.)



Model: AG250-003

TAP-A-TAP™ COLD/HOT POTABLE WATER ELECTRICAL VALVE



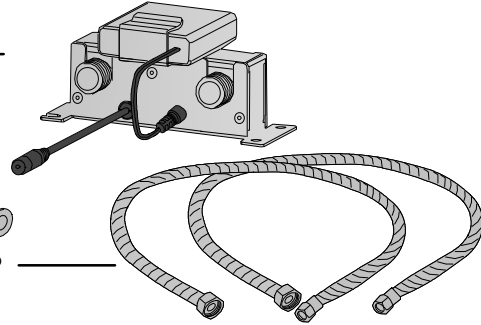
Part No.
AG250-003

AG250-003

Installation Procedures

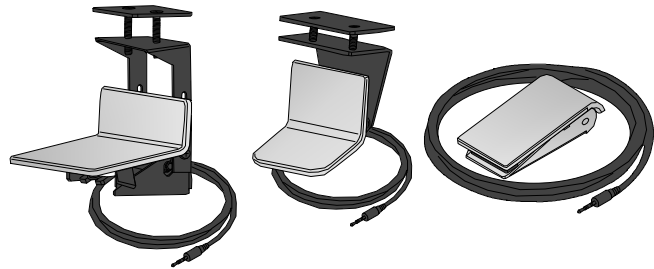
LIST OF PARTS ENCLOSED

- 1 – Hot/Cold Water Valve _____
- 2 – #8 Mounting Screws _____
- 2 – Drywall Twist In Lock Anchors _____
- 2 – Block and Brick Wall Anchors _____
- 2 – 30" Water Supply Hoses, connector 1/2" COMP x 1/2" FIP _____



The AG250-003, in combination with AG250 series foot pedals, provides hands free faucet operation. Pedals are ordered separately. Select from the following three foot pedals: AG250-403, AG250-503 or AG250-603.

AG250 Series Foot Pedals



AG250-403

Kitchen pedal with constant flow lock

AG250-503

Kitchen / bathroom pedal

AG250-603

Kitchen / bathroom floor mounted pedal

Please read the instructions once through before starting.

VALVE INSTALLATION INSTRUCTIONS

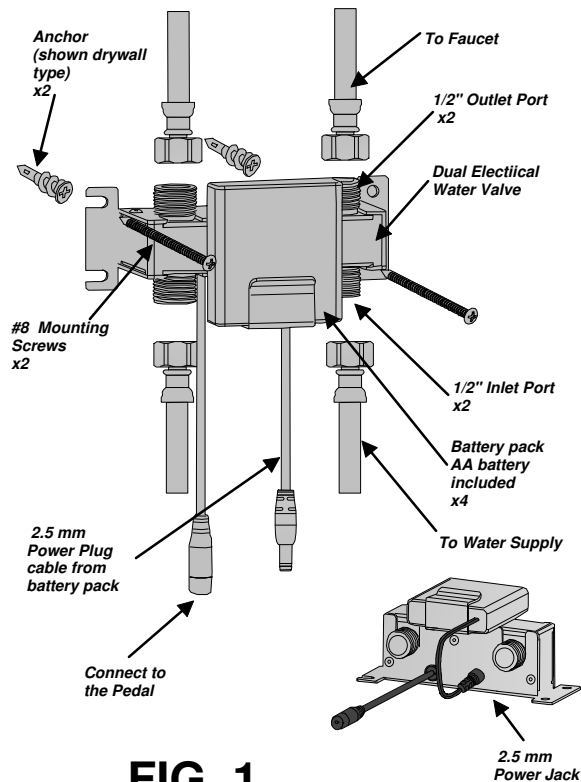


FIG. 1

1. Before mounting the AG250-003 make sure that water is turned off. Disconnect hoses (hot and cold water) between the faucet and water supply.
2. Mount the AG250-003 valve to the wall in shown on FIG.1 position . Use supplied screws and anchors to mount valve. Install them in mounting openings on opposite corner of the unit (use 6mm/ 1/4" drill).
3. Connect valve's outlet ports to the faucet using provided 30" hoses.
4. Connect the water supply hoses to the inlet ports .
5. While connecting hoses to the valve, use minimum force to tighten the nut in order to prevent port adapter from rotating.
6. Connect 2.5 mm power plug cable from the battery pack to the 2.5mm power jack on the valve body (see FIG 1.)
6. Connect 3.5mm Female cable from the valve body to the pedal (see Fig. 1 and Fig. 2).
7. Turn on water supply and check for leakage.
8. Press the pedal, open the faucet, and adjust it to the desired water temperature and flow rate.
9. As long as the pedal is depressed, water will flow from the faucet.
10. When the pedal is released, the water flow stops.