

**Model: ET120-001**  
( DLA-G20 )

Patent Pending

MADE IN USA

*Multipurpose*  
**DRAIN LINE ADAPTER**

**CAUTION:**

Use an approved ABS to PVC transition cement such as Oatey or Hercules which is NSF Certified and meets ASTM D 3138 when connecting to PVC pipe. No additional instructions are provided with this product.

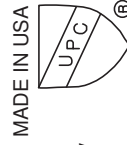
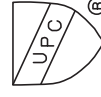
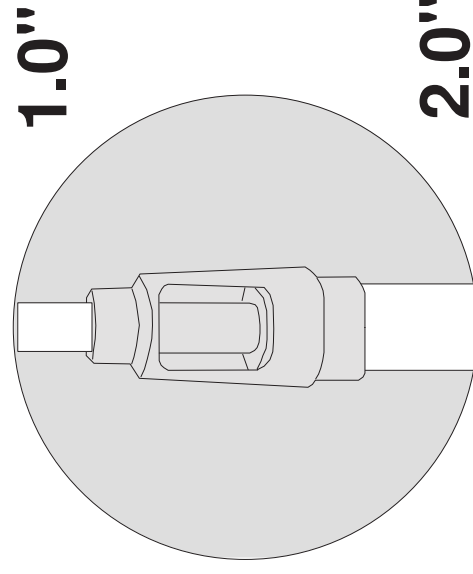
**IMPORTANT:**

The ET120-001 multipurpose standpipe air gap is designed for residential and commercial water treatment equipment and condensate lines that require an air gap discharge to the drain. The multipurpose standpipe air gap is perfect for applications where rigid Schedule-40 pipe must be plumbed to an approved air gap device. The ET120-001 provides a convenient, ready-made, true air gap for all Schedule-40 DWV standpipes.

The multipurpose standpipe air gap provides many advantages and insures safety and peace of mind that your water supply is uncontaminated. These advantages include:

- Designed to allow water to flow only in the desired direction
- Super strong material to provide secure connection
- Protection against splash or spray through the air gap window
- Tested and listed for compliance with applicable plumbing codes to ensure legal installation
- Legal to install in any state
- The ET120-001 multipurpose standpipe air gap is listed by UPC® and tested for compliance with IPC® and NSF® standards.

Serving the  
Reverse Osmosis  
Water Treatment Industry

**AIR GAP**

Part No.  
ET120-001  
(G-200)

Doc. # 400-0782-001

Copyright 2018 AIR GAP INTERNATIONAL

592 Apollo Street, Brea, California 92821 USA • 949-955-3928 • Email: orders@airgap.com



# ET120-001

## Installation Procedures

---

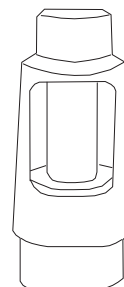
### LIST OF PARTS ENCLOSED

---

1 – Drain Line Adapter with Push-In Connector ET120-001

•The ET120-001 provides an IAPMO / UPC listed alternative to the use of the drain saddle which is a prohibited fitting in the United States.

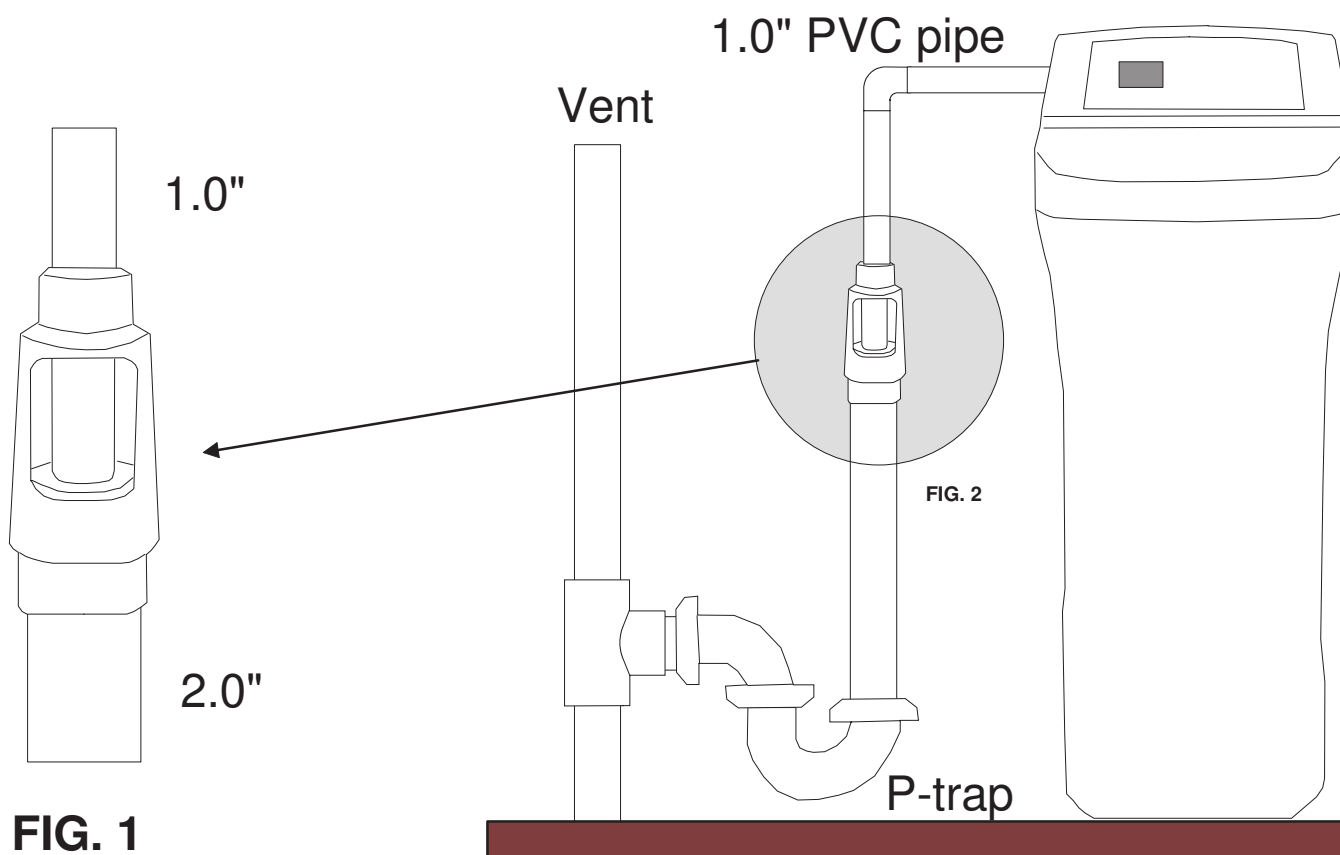
• To install the ET120-001 Drain Line Adapter, follow these instructions.



Please read the instructions once through before starting.

### CONFIGURATION

1. Disconnect the device by unplugging the cord, or shutting off the circuit breaker before starting work.
2. If adding to an existing installation, remove the drain pipe from the device and then remove the current drain adapter from the drain pipe.
3. Insert the air gap ET120-001 between the 1" pipe from your device and the 2.0" drain pipe. (See Fig. 1)
4. Reconnect the drain pipe to the device.



-OVER-