

CONFIGURATION – B

Optional (Horizontal Installation)

For best results, use Configuration – A only

1. Measure the midpoint on the horizontal waste ell and cut out 1 ½" of tubing. (See Fig. 7)

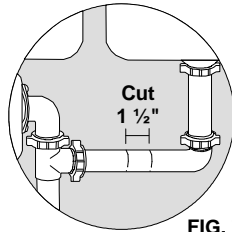


FIG. 7

2. Slip S.J. nut and beveled waster over both ends of cut tube, then insert the 3-way repair tee in the following manner: Loosen the S.J. nut on the horizontal waste ell where it joins the vertical tailpiece. (See Fig. 8) Remove the short “ell” piece by pulling down the tailpiece. (Fig. 8), then put cut ends of ell into tee and tilt vertical end back up over tailpiece and re-secure S.J. nut. Rotate tee so that the side outlet is facing straight up, then firmly tighten both S.J. nuts to tee. (See Fig. 9)

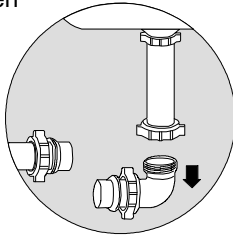


FIG. 8

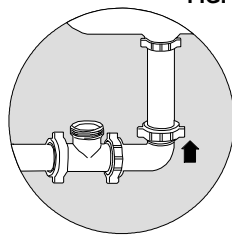


FIG. 9

OPTIONAL: To further decrease or eliminate reject water noise, rotate side outlet for tee from vertical down to 45 degrees.

3. Follow instructions 5 & 6 (configuration – A) to complete installation.

CONFIGURATION – C (Not Recommended)

For best results: *Do not* install a ET112-002 on the horizontal pipe coming straight out of the disposal (See Fig. 10). If the vertical tailpiece is too short, use a ET116-002.

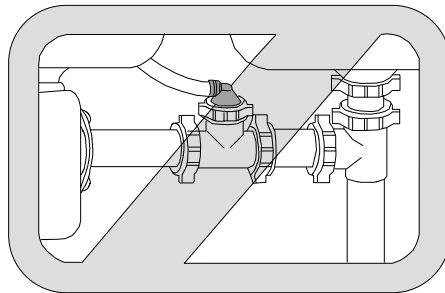


FIG. 10

CAUTION: Be careful not to “over-tighten” any screw on plastic fittings.

NOTE:

To connect a reverse osmosis reject water drain line to the plumbing of a single compartment sink with disposal, please request a ET109-002 or ET116-002.

The ET112-002 is designed to be used downstream of an approved airgap.

MADE IN USA
ASTM F 409



Serving the
Reverse Osmosis
Water Treatment Industry

AIR GAP

Copyright 2017 AIR GAP INTERNATIONAL

Model: ET112-002 (DLA-12)TM

Pat. No. 5,449,456
Pat. No. 5,681,459
Pat. No. 5,944,985
Pat. No. 6,193,879

MADE IN USA

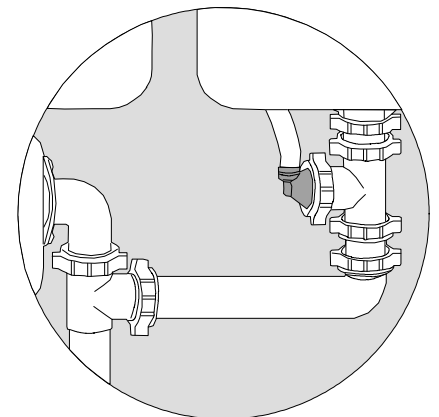
Reverse Osmosis DRAIN LINE ADAPTER

► For Multi Compartment Sinks
-OR-
Single Compartment Sink
without Disposal



ASTM F 409

Part No.
ET112-002
(12-38QC)


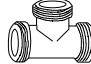




ET112-002

Installation Procedures

For Multi Compartment Sinks or Single
Compartment Sink without Disposal

LIST OF PARTS ENCLOSED

- | | |
|---|---|
| 1 – Drain Line Adapter with Push-In Connection (ET109-002/ET112-002)... |  |
| 1 – 3-Way Repair Tee |  |
| 3 – Slip Joint (S.J.) Wing Nuts |  |
| 3 – Slip Joint (S.J.) Beveled Washers |  |

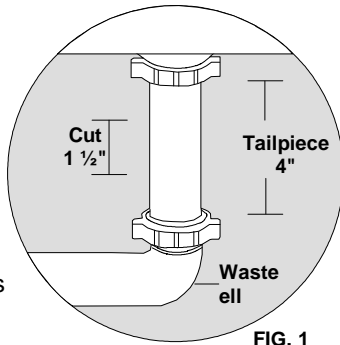
•The ET112-002 provides an IAPMO / UPC listed alternative to the use of the drain saddle which is a prohibited fitting in the United States.

• To install the ET112-002 reverse osmosis reject water Drain Line Adapter, follow these instructions.

Please read the instructions once through before starting.

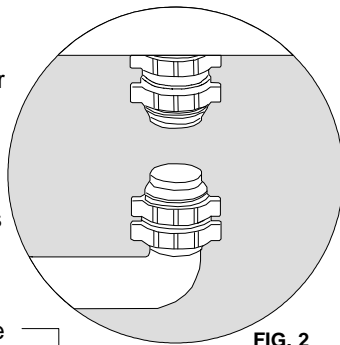
CONFIGURATION – A Recommended (Vertical Installation)

1. Measure the midpoint on the vertical tailpiece between the basket strainer and the horizontal waste ell. A minimum of 4" of "exposed" tubing is required. (See Fig. 1)

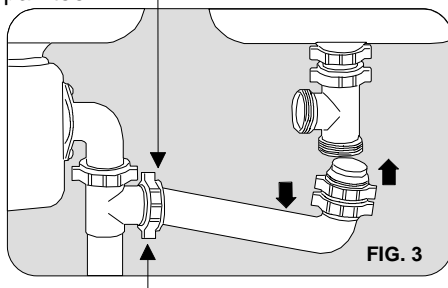


2. Cut out 1 1/2" of tubing (3/4" on both sides of midpoint measurement). (See Fig. 1) Always ensure that tube ends are cut squarely and inserted into the bottom of all slip joint (S.J.) sockets.

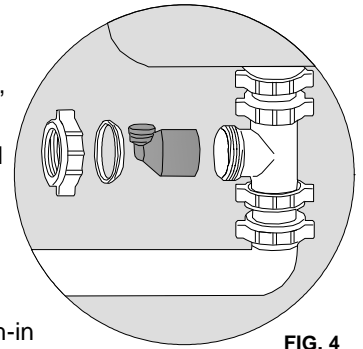
3. Slip S.J. nut and beveled washer over both ends of cut tube. Always face the beveled side of washer towards fitting. (See Fig. 2) Then insert the 3-way repair tee (provided), ensuring that tube ends seat completely into sockets of tee. This may be accomplished by loosening the S.J. nut joining the horizontal waste ell to the baffle tee until there is enough play to bend the waste ell down, then up into the bottom of the 3-way repair tee. (See Fig. 3)



4. Rotate side outlet of repair tee to desired direction and firmly tighten top, then bottom S.J. nuts. Now re-secure the waste ell to baffle tee.



5. Insert new drain line adapter with push-in connector (provided) into side outlet of tee, and rotate towards incoming 3/8" rejected water drain tube. Make sure that adapter is firmly seated in bottom of socket, then tightly secure with beveled S.J. washer and wing nut (provided). (See Fig. 4)



6. Insert 3/8" drain tube into push-in connector to complete the installation. (See Fig. 5)

NOTE: To install the ET112-002 to a single compartment sink without disposal, follow instructions 1-6 above with the following exception: Once you have removed 1 1/2" of the tubing from the center of the tailpiece (Fig. 1), disconnect and lower the J-bend of the trap. Insert the 3-way repair tee, then reconnect the trap. Use a bowl to catch trap water. (See Fig. 6)

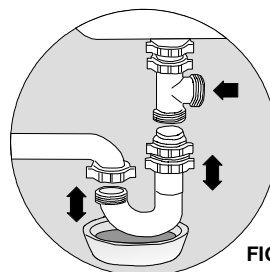


FIG. 5 Quick Connect / Push-In Connector

