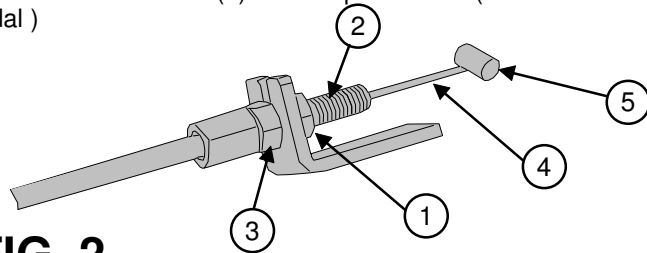
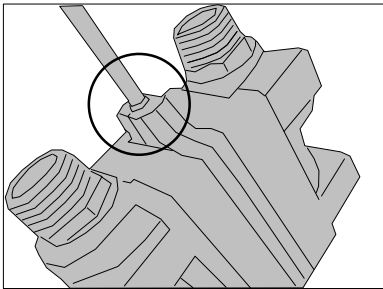
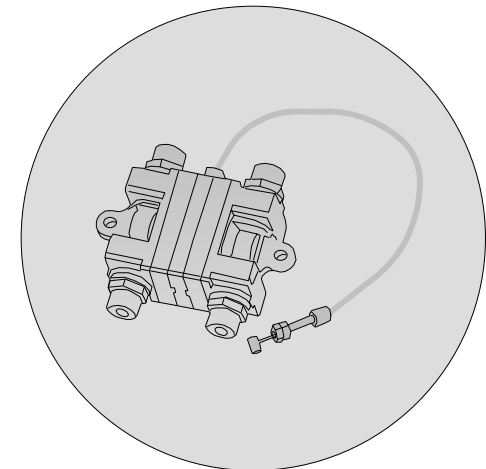


VALVE TO PEDAL CONNECTION (SEE FIG. 2)

1. Unscrew the front nut (1) and insert the cable (4) through the slot cable support bracket. See pedal instructions for more details and exact slot location. The rear nut (3) remains at the end of the thread (2). Adjust cable holder (2) for proper pedal operation and secure it's position with nuts (1) and (3). Use 3/32 wrench for tightening nuts (M5x0.8mm).
2. Verify that the actuating cable is inside the valve recepticle; see Fig.3
3. Insert cable end T-bar (5) into the pedal lever (see instruction for pedal)

**FIG. 2****FIG. 3****CAUTION:**

During installation, avoid unnecessary bends of the actuating cable.
The AG250-002 valve is maintenance-free.

Model: AG250-002**TAP-A-FLOW™
COLD/HOT POTABLE
WATER VALVE**

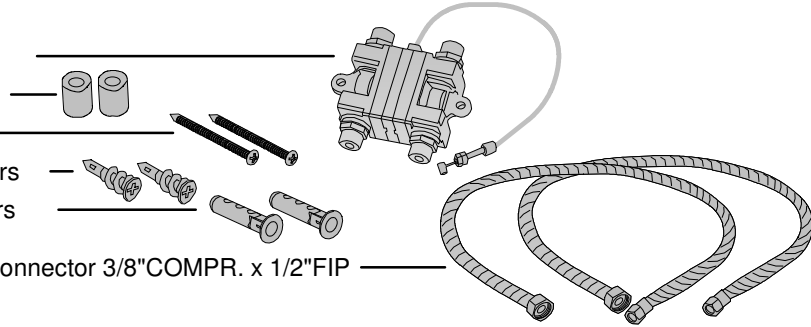
Part No.
AG250-002

AG250-002

Installation Procedures

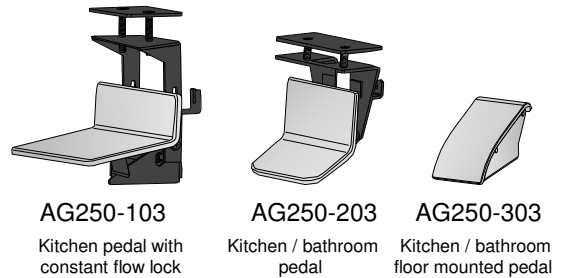
LIST OF PARTS ENCLOSED

- 1 – Hot/Cold Water Valve
- 2 – Support Bushings
- 2 – #8 Mounting Screws
- 2 – Drywall Twist In Lock Anchors
- 2 – Block and Brick Wall Anchors
- 2 – 30" Water Supply Hoses, connector 3/8"COMPR. x 1/2" FIP



The AG250-002, in combination with AG250 series foot pedals, provides hands free faucet operation. Pedals are ordered separately. Select from the following three foot pedals; AG250-103, AG250-203 or AG250-303.

AG250 Series Foot Pedals



Please read the instructions once through before starting.

VALVE INSTALLATION INSTRUCTIONS

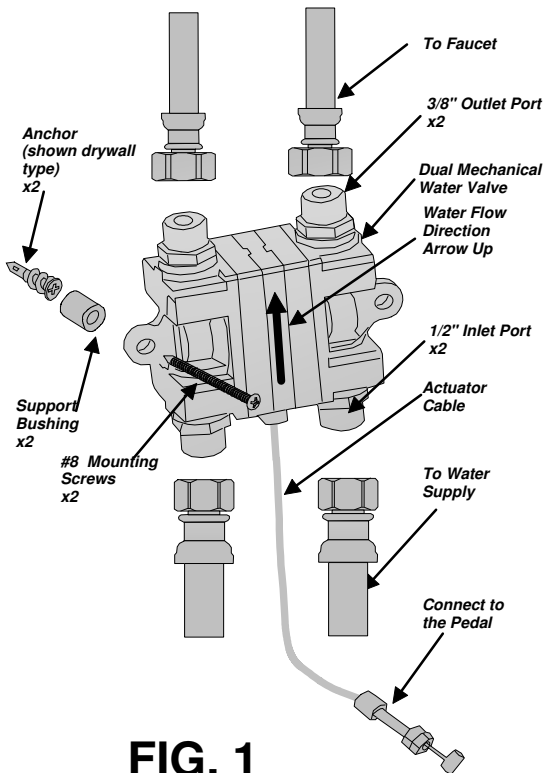
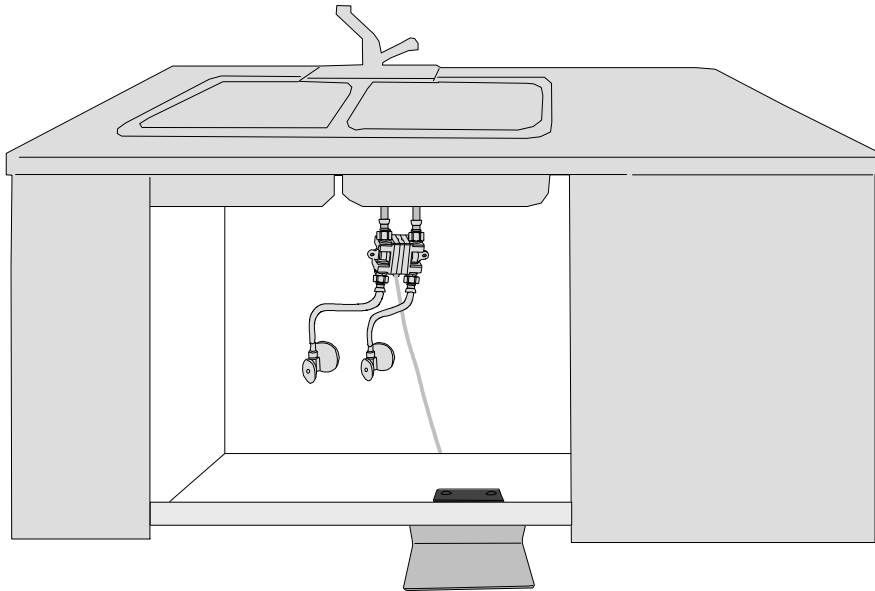


FIG. 1

1. Before mounting the AG250-002 make sure that water is turned off. Disconnect hoses (hot and cold water) between the faucet and water supply.
2. Mark position of the holes for mounting valve on the wall. Install provided anchors (drywall type or block/brick type) into the wall.
3. Mount the AG250-002 valve to the wall with the water flow direction arrow pointing up. Use supplied bushings and screws (use 6mm/ 1/4" drill) to mount valve.
4. Connect valve's outlet ports to hoses from the faucet.
5. Connect the water supply hoses to inlet ports with provided 30" hoses.
6. During the installation process, make sure not to kink valve's actuator cable.
7. While connecting hoses to the valve, use minimum force to tighten the nut in order to prevent port adapter from rotating.
8. Connect actuator cable to the pedal (see Fig. 2). Keep actuator cable as straight as possible, avoiding unnecessary bends.
9. Turn on water supply and check for leakage.
10. Press the pedal, open the faucet, and adjust it to the desired water temperature and flow rate.
11. As long as the pedal is depressed, water will flow from the faucet.
12. When the pedal is released, the water flow stops.



Model: **AG250-103**

TAP-A-FLOW™ KITCHEN PEDAL WITH CONSTANT FLOW LOCK STAINLESS STEEL FINISH

4. Press the pedal on right side to lock in open position, open the faucet, and adjust it to the desired water temperature and flow rate.

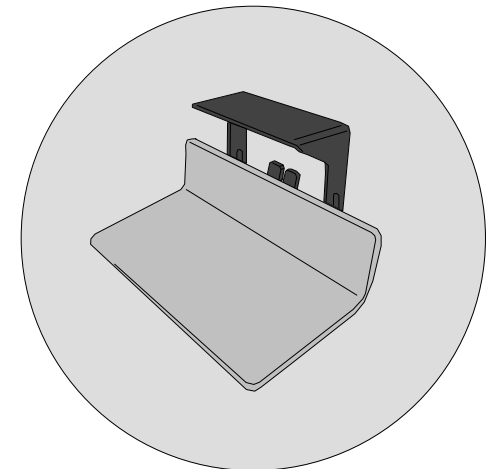
As long as the pedal is depressed, water will flow from the faucet.

To release the pedal, press on the left side.

When the pedal is released, the water flow stops.

CAUTION:

During installation, avoid bending valve actuating. Any bending needs to be smooth.



Part No.
AG250-103

AG250-103

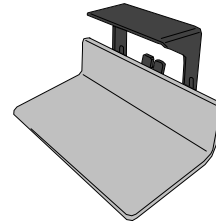
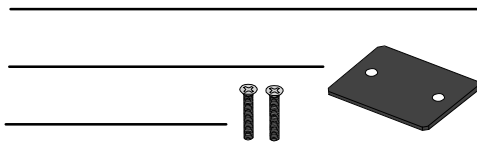
Installation Procedures

LIST OF PARTS ENCLOSED

1 – Pedal assembly

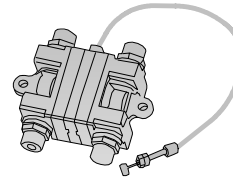
1 – Top mounting plate

2 – #10 Mounting screws



AG250-103
Pedal

The AG250-103, in combination with AG250-002 valve, provides hands-free faucet operation. AG250-103 has constant lock option. Valve is ordered separately.



AG250-002
Cold/Hot Potable Water
Mechanical Valve

Please read the instructions once through before starting.

PEDAL INSTALLATION INSTRUCTIONS

1. Apply top mounting plate at the edge of the cabinet and mark position of mounting screws. Drill two holes for #10 screws. (13/64"). (FIG.1)

Measure 1-3/4" from the bottom of cabinet aligned with the top mounting plate, drill 1" hole under the cabinet plate. (FIG.1)

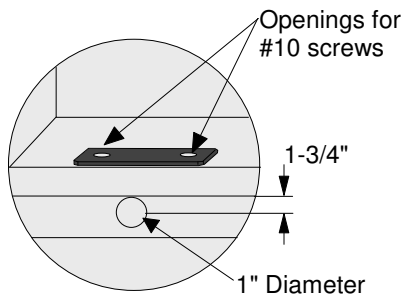


FIG. 1

Verify that valve actuating cable is inside the valve receptacle. (FIG.3)

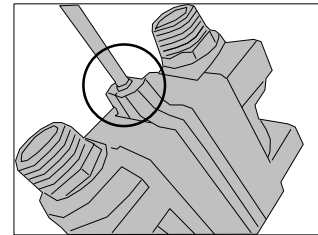


FIG. 3

2. Pass cable from the AG250-002 valve through the 1" opening under the cabinet plate and connect it to the pedal AG250-103.

Unscrew the front nut (1) on the valve cable and insert the cable (4) through the slot on the back side of support bracket AG250-103 pedal. The rear nut (3) remains at the end of the thread (2). Adjust cable holder (2) for proper pedal operation and secure its position with nuts (1) and (3). Control cable (4) should be snug. (FIG. 2)

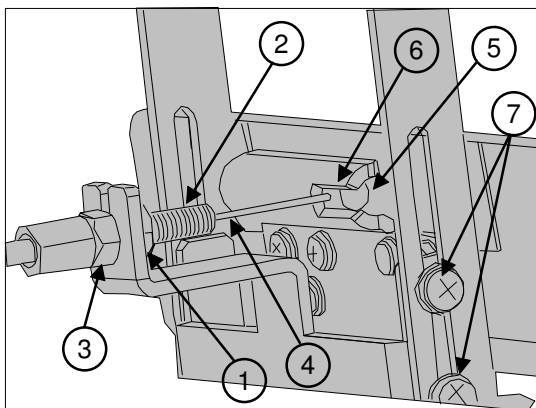


FIG. 2

Insert valve cable end T-bar (5) into the pedal lever (6). (FIG. 2)

3. Use provided #10 screws to attach the pedal. (FIG.4) Pedal position can be adjusted using four screws (7) on side of pedal assembly. (FIG. 2)

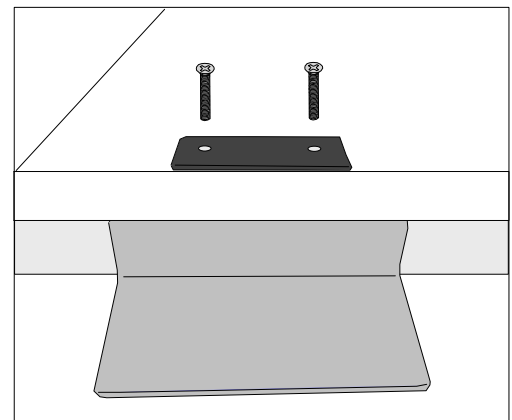


FIG. 4