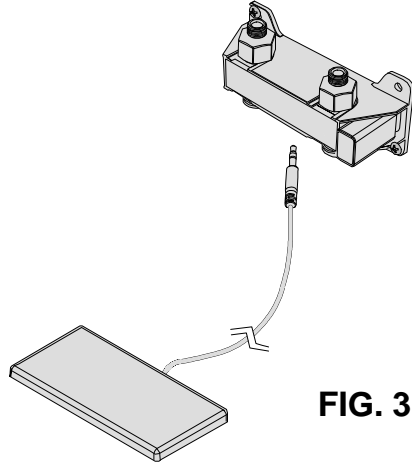


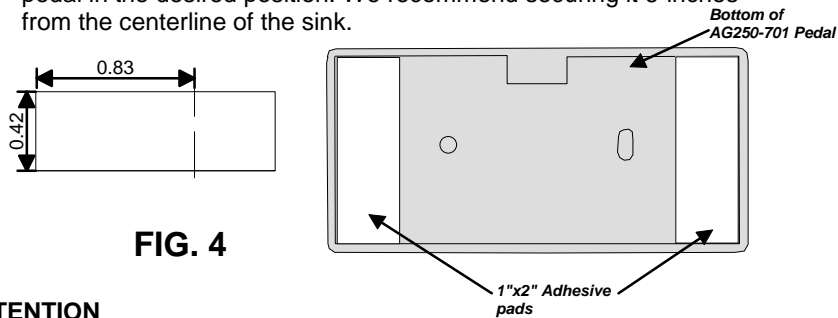
### VALVE TO PEDAL CONNECTION (SEE FIG. 3)

1. Connect the 3.5mm male end of the cable from the pedal to the 3.5mm female port on the valve.



**FIG. 3**

2. To secure the AG250-701 pedal, use 1"x3" adhesive pads. Cut them to 2"x1" size and apply on the bottom of the AG250-701 pedal, as shown on the FIG.4. By removing the paper backing to secure the pedal in the desired position. We recommend securing it 6-inches from the centerline of the sink.



**FIG. 4**

#### ATTENTION

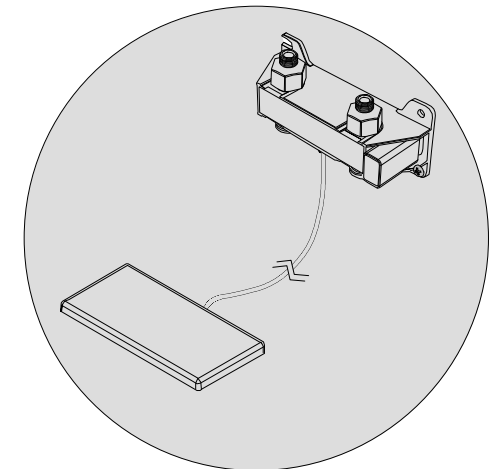
AG250-004 Valve is battery operated ( 9V alkaline battery is included). Change battery instruction.

1. Remove Battery from valve body.
2. Replace batteries, following "+" and "-" sign.



**Model:**  
**AG250-804**

## WATER FAUCET VALVE AND FLOOR PEDAL TAP-A-FLOW™



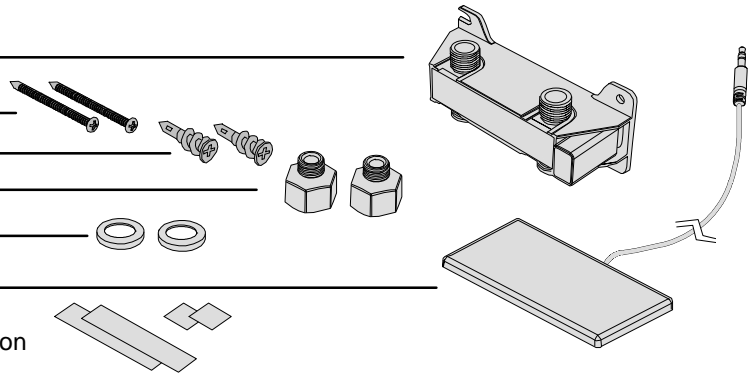
Part No.  
AG250-804

# AG250-804

## Installation Procedures

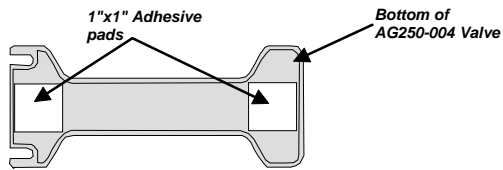
### LIST OF PARTS ENCLOSED

- 1 – AG250-004 Dual hot/cold water valve \_\_\_\_\_
- 2 – #8 Mounting Screws \_\_\_\_\_
- 2 – Drywall Twist In Lock Anchors \_\_\_\_\_
- 2 – Adaptor 1/2-inch female to 3/8-inch male \_\_\_\_\_
- 2 – Adapter mounting washer \_\_\_\_\_
- 1 – AG250-701 Floor/Kick board pedal, silver \_\_\_\_\_
- 4 – Adhesive pads for valve and pedal installation \_\_\_\_\_

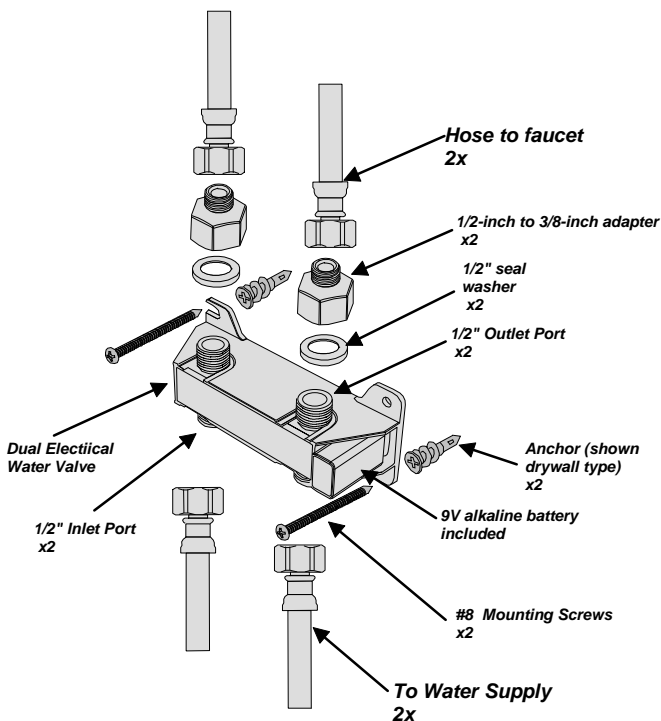


**The AG250-804, is a set of dual hot/cold electrical water valve and floor/kick pedal . The AG250-804 provides hands free faucet operation.**

### VALVE INSTALLATION INSTRUCTIONS



**FIG. 1**



**FIG. 2**

1. Before mounting the AG250-004, make sure that water is turned off. Disconnect hoses (hot and cold water) between the faucet and water supply.
2. Apply two (1"x1") adhesive pads provided. Remove the paper backing from adhesive pads and apply them on the bottom of the AG250-004 valve in shown position. (see FIG.1)
3. Install 1/2-inch to 3/8-inch adapters with washers on output ports of the AG250-004 valve ( see FIG.2)
4. Use supplied screws and anchors to mount the valve. Install them in mounting openings on the opposite corner of the unit (use 6mm/ 1/4" drill if needed).  
Mount the AG250-004 valve to the wall using adhesive pads. See valve position on FIG.2. Note: In optional usage of an optional accessory such as AG172-001 water hammer arrestors, make sure that the position of the allows allowing 4" available space on the sides of the valve for arrestors installation.
5. Connect valve's outlet ports to the faucet using 3/8-inch to 1/2-inch hoses (not provided).
6. Connect the water supply hoses to the inlet ports.
7. While connecting hoses to the valve, use minimum force to tighten the nut to prevent the port adaptor from rotating.
8. Connect the 3.5mm male end of the cable from the pedal to the 3.5mm female connector on the valve (see Fig. 3).
9. Turn on the water supply and check for leakage.
10. Press the pedal, open the faucet, and adjust it to the desired water temperature and flow rate.
11. As long as the pedal is depressed, water will flow from the faucet.
12. When the pedal is released, the water flow should stop.