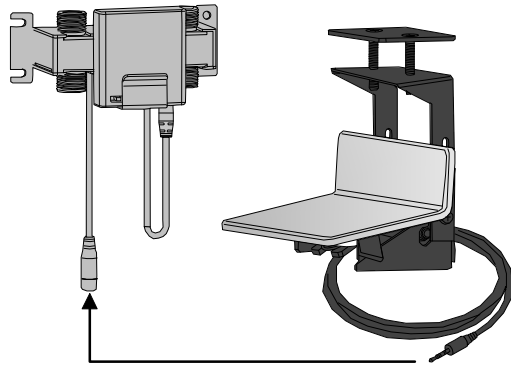


## VALVE TO PEDAL CONNECTION (SEE FIG. 2)

1. Connect 3.5mm Female Cable from the valve to the 3.5mm Male Cable on the pedal. See pedal installation on manual for the pedal.

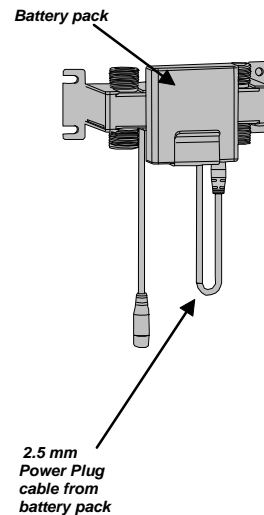
**FIG. 2**



**CAUTION:**

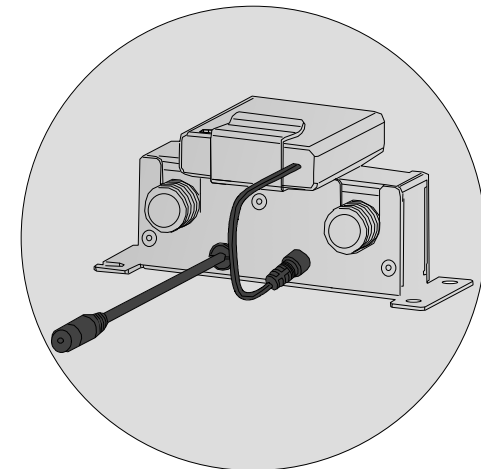
AG250-003 Valve is battery operated ( AA type, 4pcs included)  
Change battery instruction.

1. Disconnect cable connection between battery pack and valve.
2. Remove Battery pack from valve body.
3. Open battery pack by removing a screw on the bottom of battery pack.
4. Replace batteries, following "+" and "-" sign.
5. Close battery pack by installing the screw. Install battery pack into valve unit in original place. Squeeze metal tab if needed to hold battery pack in place.
6. Connect 2.5 mm power plug cable from battery pack to 2.5mm power jack on the valve body (see FIG 3.)



Model: **AG250-003**

# TAP-A-TAP™ COLD/HOT POTABLE WATER ELECTRICAL VALVE



Part No.  
AG250-003

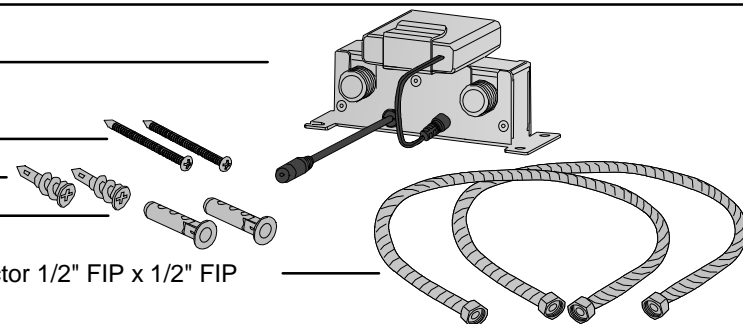
## Installation Procedures

---

### LIST OF PARTS ENCLOSED

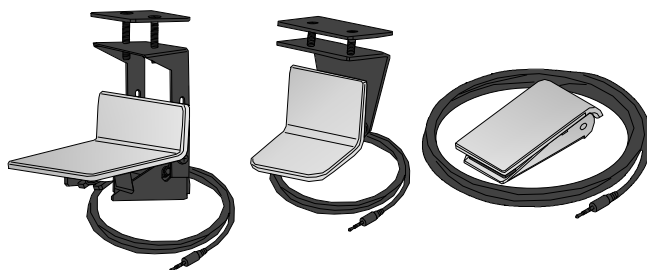
---

- 1 – Hot/Cold Water Valve \_\_\_\_\_
- 2 – #8 Mounting Screws \_\_\_\_\_
- 2 – Drywall Twist In Lock Anchors \_\_\_\_\_
- 2 – Block and Brick Wall Anchors \_\_\_\_\_
- 2 – 30" Water Supply Hoses, connector 1/2" FIP x 1/2" FIP \_\_\_\_\_



**The AG250-003, in combination with AG250 series foot pedals, provides hands free faucet operation. Pedals are ordered separately. Select from the following three foot pedals: AG250-403, AG250-503 or AG250-603.**

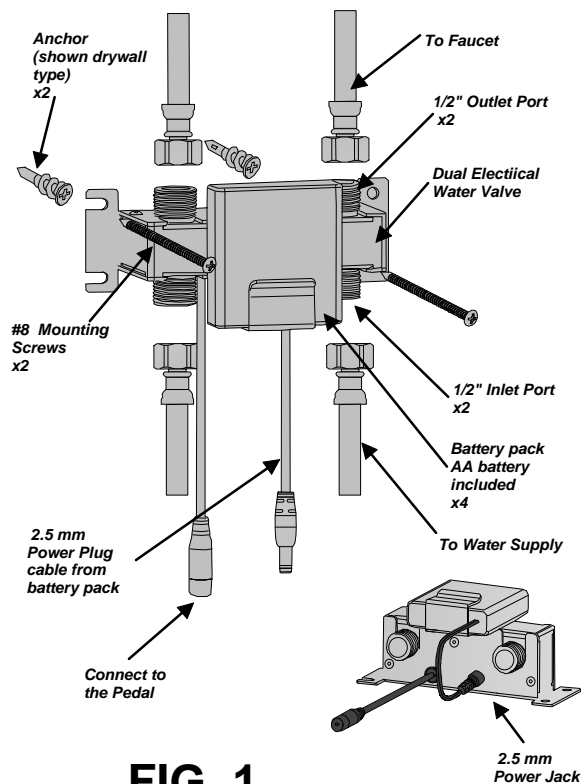
### AG250 Series Foot Pedals



AG250-403  
Kitchen pedal with constant flow lock
AG250-503  
Kitchen / bathroom pedal
AG250-603  
Kitchen / bathroom floor mounted pedal

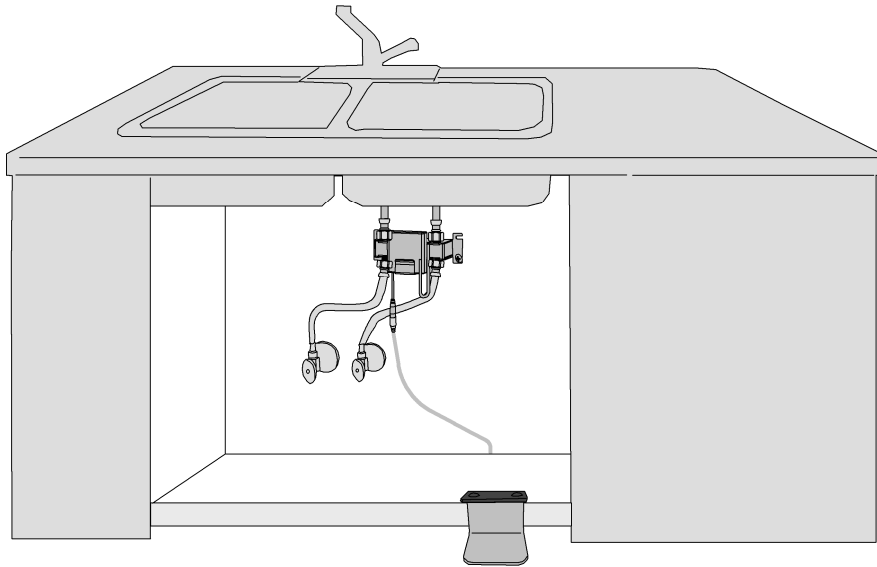
Please read the instructions once through before starting.

### VALVE INSTALLATION INSTRUCTIONS



**FIG. 1**

1. Before mounting the AG250-003 make sure that water is turned off. Disconnect hoses (hot and cold water) between the faucet and water supply.
2. Mount the AG250-003 valve to the wall in shown on FIG.1 position . Use supplied screws and anchors to mount valve. Install them in mounting openings on opposite corner of the unit (use 6mm/ 1/4" drill).
3. Connect valve's outlet ports to the faucet using provided 30" hoses.
4. Connect the water supply hoses to the inlet ports .
5. While connecting hoses to the valve, use minimum force to tighten the nut in order to prevent port adapter from rotating.
6. Connect 2.5 mm power plug cable from the battery pack to the 2.5mm power jack on the valve body (see FIG 1.)
6. Connect 3.5mm Female cable from the valve body to the pedal (see Fig. 1 and Fig. 2).
7. Turn on water supply and check for leakage.
8. Press the pedal, open the faucet, and adjust it to the desired water temperature and flow rate.
9. As long as the pedal is depressed, water will flow from the faucet.
10. When the pedal is released, the water flow stops.



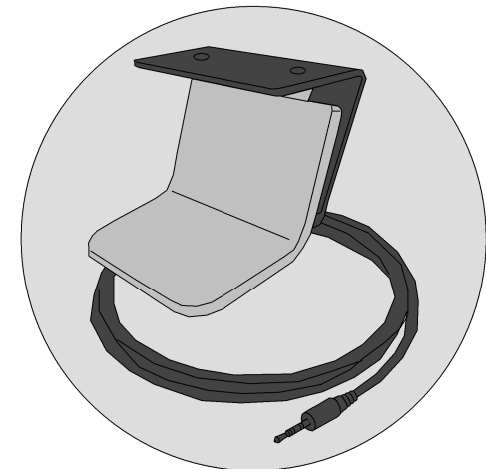
Model: **AG250-503**

**TAP-A-TAP™**  
**KITCHEN /BATHROOM**  
**PEDAL**  
**STAINLESS STEEL FINISH**

4. Press the pedal, open the faucet, and adjust it to the desired water temperature and flow rate.

As long as the pedal is pressed, water will flow from the faucet.

When the pedal is released, the water flow will stop.



Part No.  
AG250-503

# AG250-503

## Installation Procedures

---

### LIST OF PARTS ENCLOSED

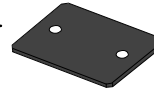
---

1 – Pedal mount

1 – Top mounting plate

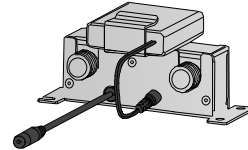
2 – #10x3/4" length mounting screws

2 – #10x1" length mounting screws



AG250-503  
Pedal

***The AG250-503, in combination with AG250-003 valve, provides hands-free faucet operation. Valve is ordered separately.***



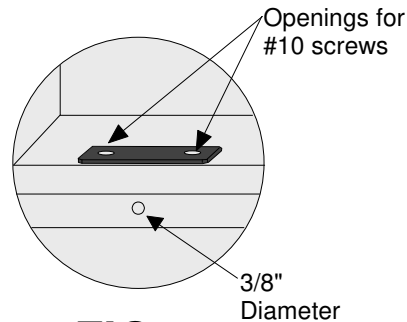
AG250-003  
Cold/Hot Potable Water  
Electrical Valve

*Please read the instructions once through before starting.*

### PEDAL INSTALLATION INSTRUCTIONS

1. Place top mounting plate at the edge of the cabinet and mark location of mounting screws. Drill two holes for #10 screws. (13/64"). (FIG.1)

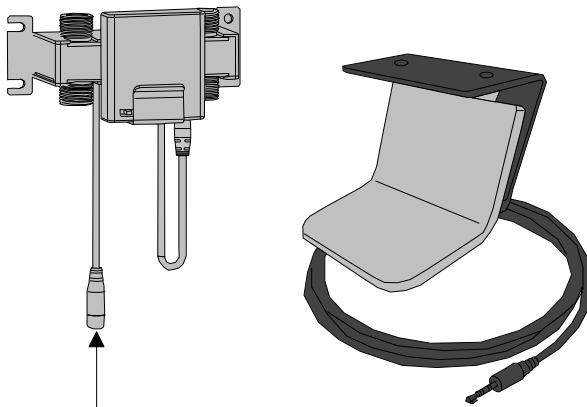
Drill hole 3/8" under the cabinet plate for cable connection to the valve. (FIG.1)



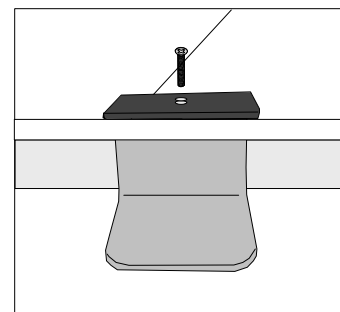
**FIG. 1**

2. Pass cable from the AG250-503 pedal through the 3/8" opening under the cabinet plate and connect it to AG250-003 valve installed inside the cabinet. (FIG.2)

3. Use provided #10 screws (1" or 3/4") to attach the pedal. (FIG.3)



**FIG. 2**



**FIG.3**