

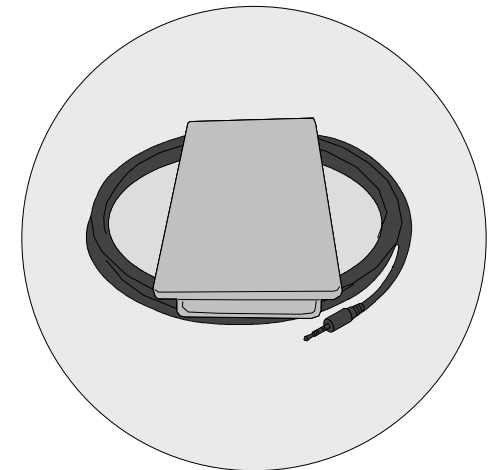
3. Press on pedal, open the faucet, and adjust it to the desired water temperature and flow rate.

As long as the pedal is pressed, water will flow from the faucet.

When the pedal is released, the water flow stops.

Model: **AG250-603**

# **TAP-A-FLOW™ FLOOR PEDAL, STAINLESS STEEL FINISH (battery operated)**



Part No.  
AG250-603

# AG250-603


## Installation Procedures

---

### LIST OF PARTS ENCLOSED

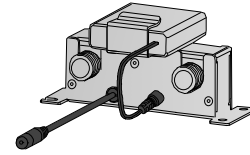
---

1 – Floor pedal \_\_\_\_\_

2 – #6x1 mounting screws \_\_\_\_\_ 



**The AG250-603, in combination with AG250-003 valve, provides hands-free faucet operation. Valve is ordered separately.**

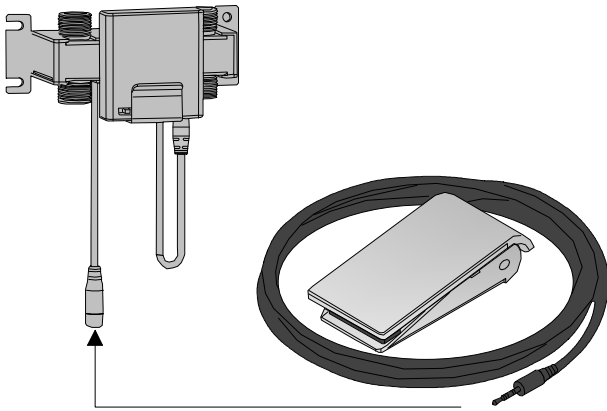


AG250-003  
Cold/Hot Potable Water  
Electrical Valve  
(battery operates)

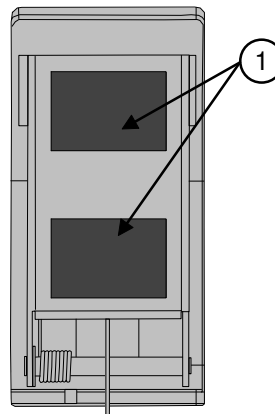
*Please read the instructions once through before starting.*

### PEDAL INSTALLATION INSTRUCTIONS

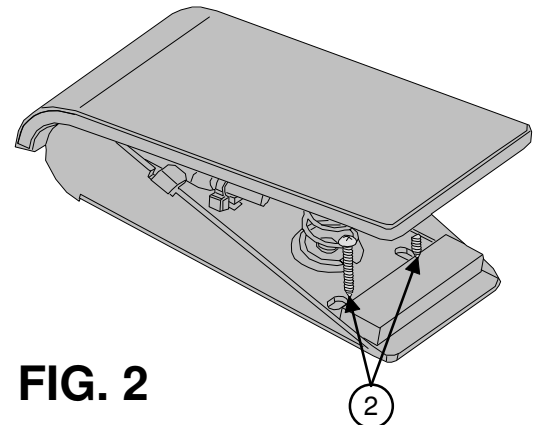
1. Pass cable from the AG250-603 pedal through an opening under the cabinet plate and connect it to the AG250-003 valve installed inside the cabinet. (FIG.1)
2. Secure pedal to the floor by removing paperback from adhesive pads on the bottom of the pedal (1) or secure pedal using mounting screws (2). (FIG.2)



**FIG. 1**



**BOTTOM VIEW**



**FIG. 2**