

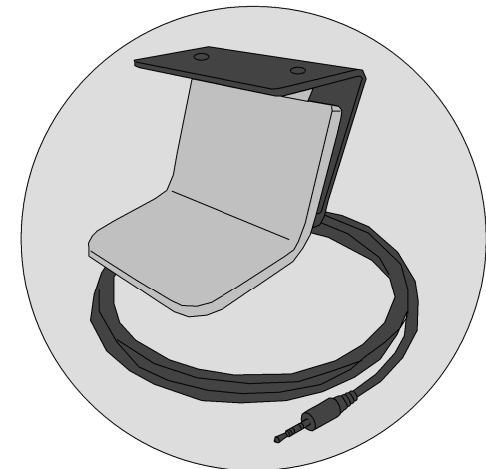
Model: **AG250-503**

TAP-A-TAP™
KITCHEN /BATHROOM
PEDAL
STAINLESS STEEL FINISH

4. Press the pedal, open the faucet, and adjust it to the desired water temperature and flow rate.

As long as the pedal is pressed, water will flow from the faucet.

When the pedal is released, the water flow will stop.



Part No.
AG250-503

AG250-503

Installation Procedures

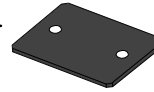
LIST OF PARTS ENCLOSED

1 – Pedal mount

1 – Top mounting plate

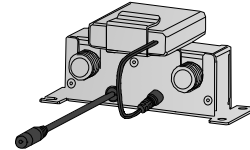
2 – #10x3/4" length mounting screws

2 – #10x1" length mounting screws



AG250-503
Pedal

The AG250-503, in combination with AG250-003 valve, provides hands-free faucet operation. Valve is ordered separately.



AG250-003
Cold/Hot Potable Water
Electrical Valve

Please read the instructions once through before starting.

PEDAL INSTALLATION INSTRUCTIONS

1. Place top mounting plate at the edge of the cabinet and mark location of mounting screws. Drill two holes for #10 screws. ($13/64$ "). (FIG.1)

Drill hole $3/8$ " under the cabinet plate for cable connection to the valve. (FIG.1)

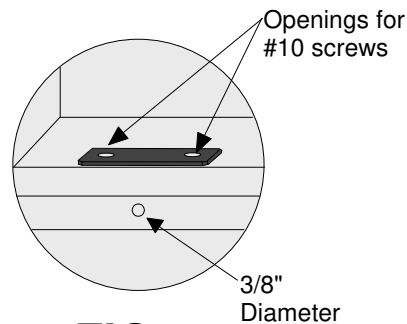


FIG. 1

2. Pass cable from the AG250-503 pedal through the $3/8$ " opening under the cabinet plate and connect it to AG250-003 valve installed inside the cabinet. (FIG.2)

3. Use provided #10 screws (1 " or $3/4$ ") to attach the pedal. (FIG.3)

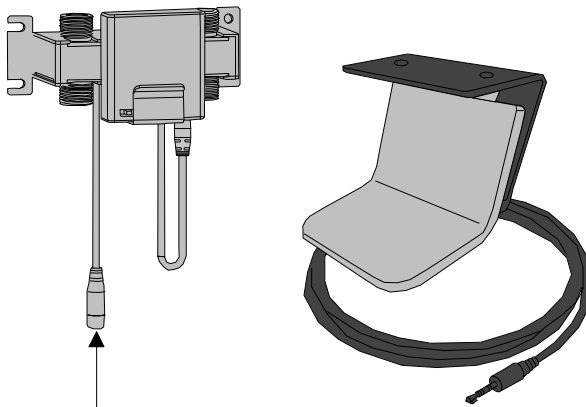


FIG. 2

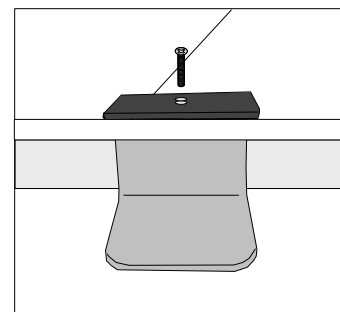


FIG.3