

4. Press the pedal, open the faucet, and adjust it to the desired water temperature and flow rate.

As long as the pedal is pressed, water will flow from the faucet.

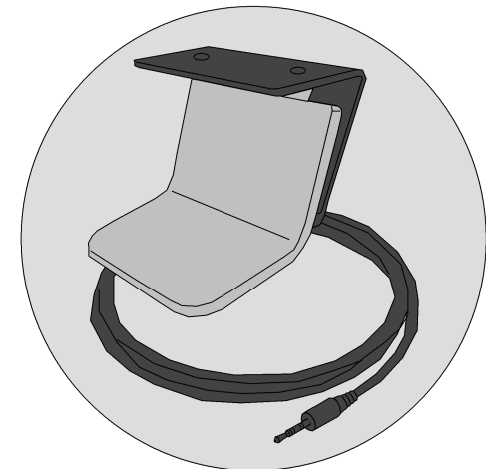
When the pedal is released, the water flow will stop.



Model:

AG250-503

**TAP-A-TAP™
KITCHEN / RESTROOM
PEDAL WITH
STAINLESS STEEL FINISH**



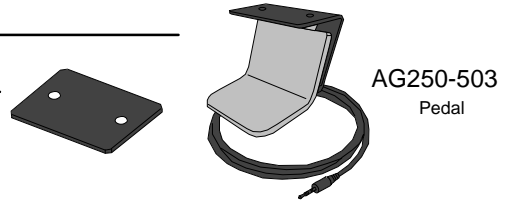
Part No.
AG250-503

AG250-503

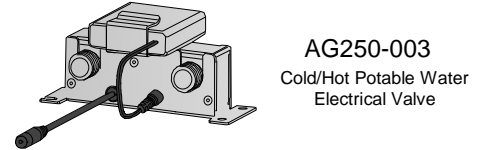
Installation Procedures

LIST OF PARTS ENCLOSED

- 1 – Pedal mount _____
- 1 – Top mounting plate _____
- 2 – #10x3/4 length mounting screws _____
- 2 – #10x1 length mounting screws _____



The AG250-503, in combination with the AG250-003 valve, provides a hands-free faucet operation. The valve is ordered separately.



Please read the instructions once through before starting.

PEDAL INSTALLATION INSTRUCTIONS

1. Place top mounting plate at the edge of the cabinet and mark location of mounting screws. Drill two holes for #10 screws. (13/64-inch).

Drill hole 3/8-inch under the cabinet plate for cable connection to the valve. (FIG.1)

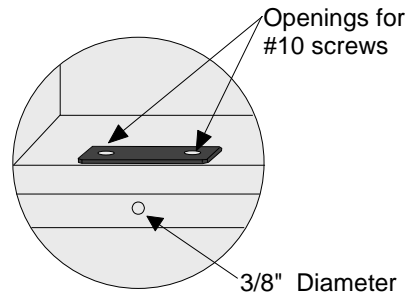


FIG. 1

2. Pass cable from the AG250-503 pedal through the 3/8-inches opening under the cabinet plate and connect it to AG250-003 valve installed inside the cabinet. (FIG.2)
3. Use provided #10 screws (1-inch or 3/4-inches) to attach the pedal. (FIG.3)

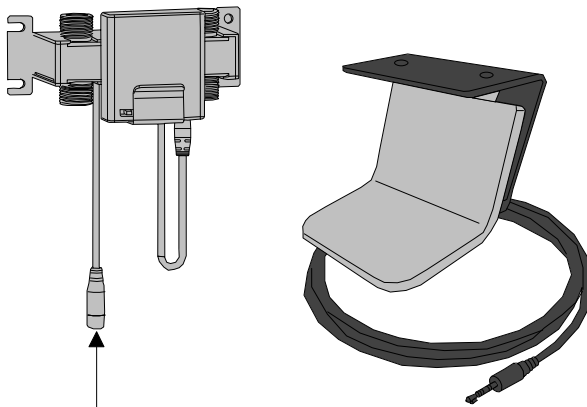


FIG. 2

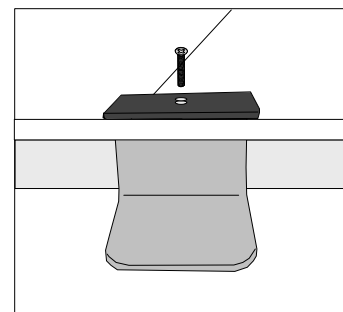


FIG.3