

Model: **AG250-403**

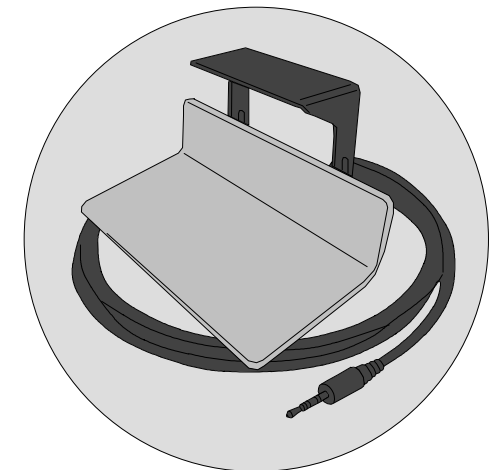
TAP-A-TAP™ KITCHEN PEDAL WITH CONSTANT FLOW LOCK STAINLESS STEEL FINISH

5. Press the pedal on right side to lock in open position, open the faucet, and adjust it to the desired water temperature and flow rate.

As long as the pedal is pressed, water will flow from the faucet.

To release the pedal, press on the left side.

When the pedal is released, the water flow stops.



Part No.
AG250-403

AG250-403

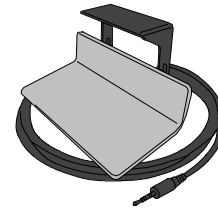
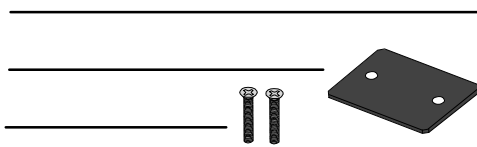
Installation Procedures

LIST OF PARTS ENCLOSED

1 – Pedal assembly

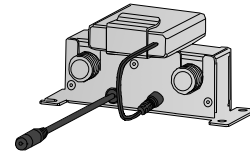
1 – Top mounting plate

2 – #10 Mounting screws



AG250-403
Pedal

The AG250-403, in combination with AG250-003 valve, provides hands-free faucet operation. AG250-403 has constant lock option. Valve is ordered separately.



AG250-003
Cold/Hot Potable Water
Electrical Valve

Please read the instructions once through before starting.

PEDAL INSTALLATION INSTRUCTIONS

1. Place top mounting plate at the edge of the cabinet and mark location of mounting screws. Drill two holes for #10 screws. (13/64"). (FIG.1)

Drill hole 3/8" under the cabinet plate for cable connection to the valve. (FIG.1)

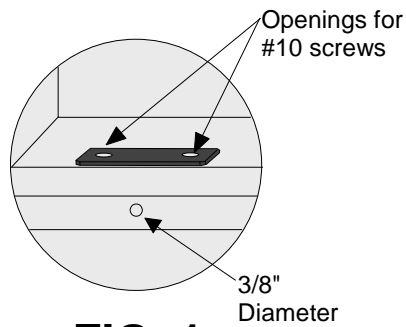


FIG. 1

3. Use provided #10 screws to attach pedal. (FIG.3)

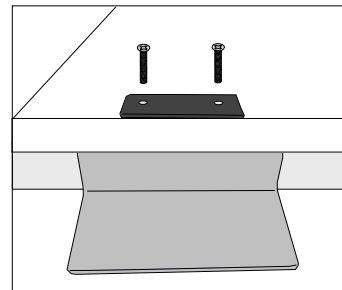


FIG. 3

2. Pass cable from the AG250-403 pedal through the 3/8" opening under the cabinet plate and connect it to the AG250-003 valve installed inside the cabinet. (FIG.2)

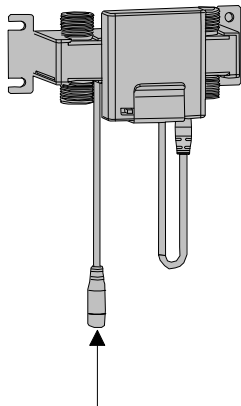


FIG. 2

4. Pedal position can be adjusted using four screws on side of pedal assembly. (FIG.4)

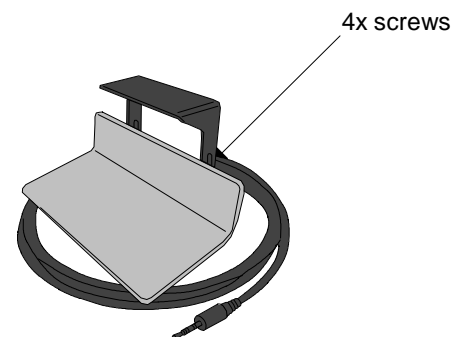


FIG.4