

3. Secure pedal to the floor by removing paperback and applying adhesive pads to the bottom of pedal (8) or secure pedal using mounting screws (9). (FIG.4)

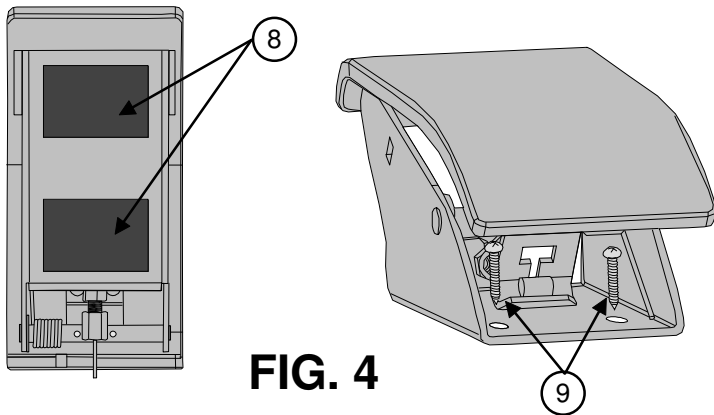
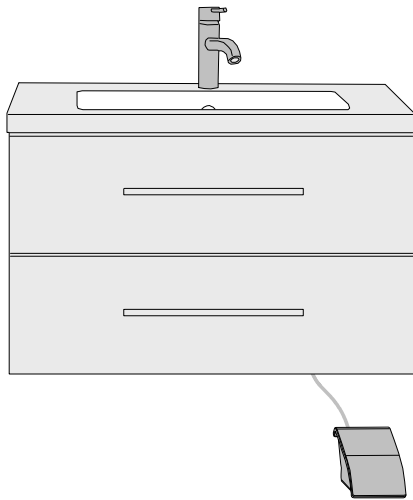


FIG. 4



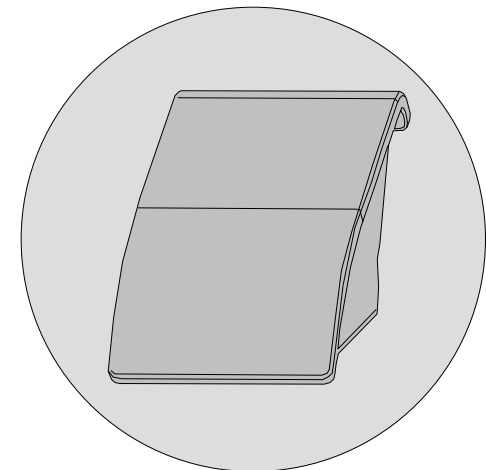
4. Press on pedal, open the faucet, and adjust it to the desired water temperature and flow rate.
As long as the pedal is pressed, water will flow from the faucet.
When the pedal is released, the water flow stops.

CAUTION:

During installation, avoid bending valve actuating. Any bending needs to be smooth.

Model: **AG250-303**

TAP-A-FLOW™ FLOOR PEDAL, STAINLESS STEEL FINISH



Part No.
AG250-303

AG250-303

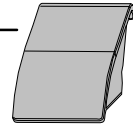
Installation Procedures

LIST OF PARTS ENCLOSED

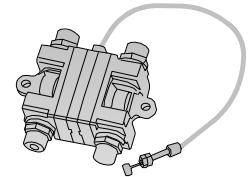
1 – Floor pedal

2 – #6x1 mounting screws

2 – 1"x3" Double sided adhesive pads



The AG250-303, in combination with AG250-002 valve, provides hands-free faucet operation. Valve is ordered separately.



AG250-002

Cold/Hot Potable Water
Mechanical Valve

Please read the instructions once through before starting.

PEDAL INSTALLATION INSTRUCTIONS

1. Pass cable from the AG250-002 valve through an opening under the cabinet plate and connect it to the pedal AG250-303.
2. Unscrew the front nut (1) on the valve cable and insert the cable (4) through the slot on the back side of AG250-303 pedal. The rear nut (3) remains at the end of the thread (2). Adjust cable holder (2) for proper pedal operation and secure its position with nuts (1) and (3). Use 3/32 wrench for tightening nuts (M5x0.8mm). Control cable (4) should be snug. (FIG.1)

Verify that valve actuating cable is inside the valve receptacle (FIG.2)

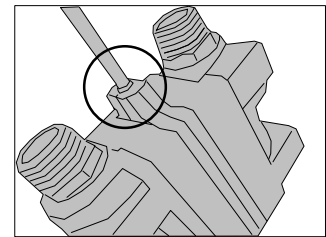


FIG. 2

Insert valve cable end T-bar (5) into the pedal lever (6) (FIG.3)

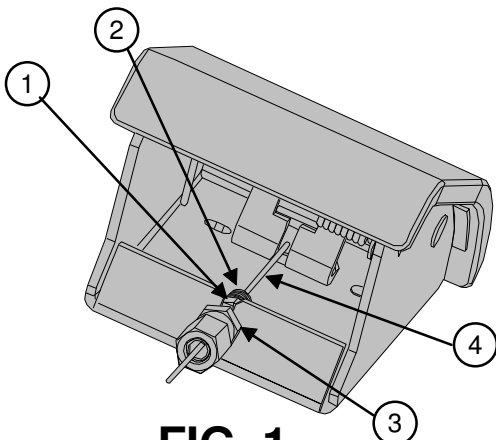


FIG. 1

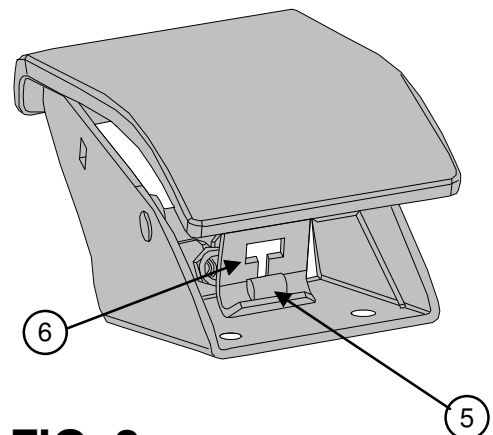


FIG. 3