

Model: **AG250-103**

TAP-A-FLOW™ KITCHEN PEDAL WITH CONSTANT FLOW LOCK STAINLESS STEEL FINISH

4. Press the pedal on right side to lock in open position, open the faucet, and adjust it to the desired water temperature and flow rate.

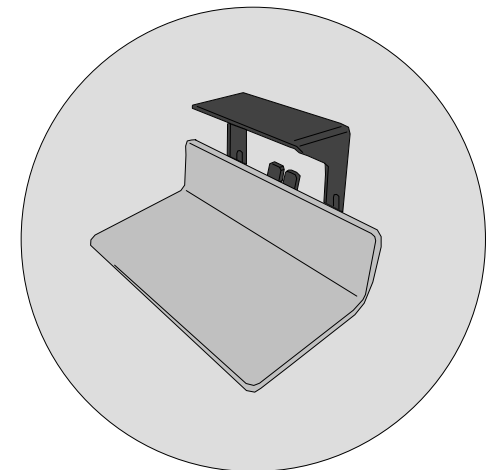
As long as the pedal is depressed, water will flow from the faucet.

To release the pedal, press on the left side.

When the pedal is released, the water flow stops.

CAUTION:

During installation, avoid bending valve actuating. Any bending needs to be smooth.



Part No.
AG250-103

AG250-103

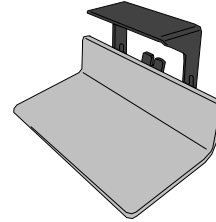
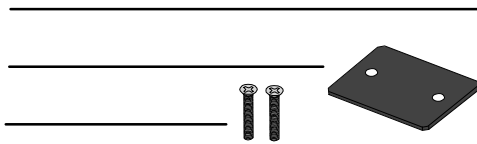
Installation Procedures

LIST OF PARTS ENCLOSED

1 – Pedal assembly

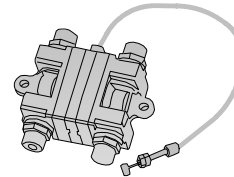
1 – Top mounting plate

2 – #10 Mounting screws



AG250-103
Pedal

The AG250-103, in combination with AG250-002 valve, provides hands-free faucet operation. AG250-103 has constant lock option. Valve is ordered separately.



AG250-002
Cold/Hot Potable Water
Mechanical Valve

Please read the instructions once through before starting.

PEDAL INSTALLATION INSTRUCTIONS

1. Apply top mounting plate at the edge of the cabinet and mark position of mounting screws. Drill two holes for #10 screws. (13/64"). (FIG.1)

Measure 1-3/4" from the bottom of cabinet aligned with the top mounting plate, drill 1" hole under the cabinet plate. (FIG.1)

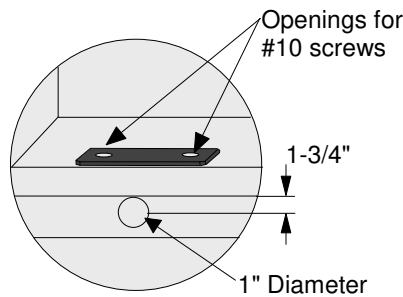


FIG. 1

Verify that valve actuating cable is inside the valve receptacle. (FIG.3)

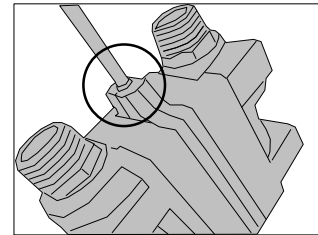


FIG. 3

2. Pass cable from the AG250-002 valve through the 1" opening under the cabinet plate and connect it to the pedal AG250-103.

Unscrew the front nut (1) on the valve cable and insert the cable (4) through the slot on the back side of support bracket AG250-103 pedal. The rear nut (3) remains at the end of the thread (2). Adjust cable holder (2) for proper pedal operation and secure its position with nuts (1) and (3). Control cable (4) should be snug. (FIG. 2)

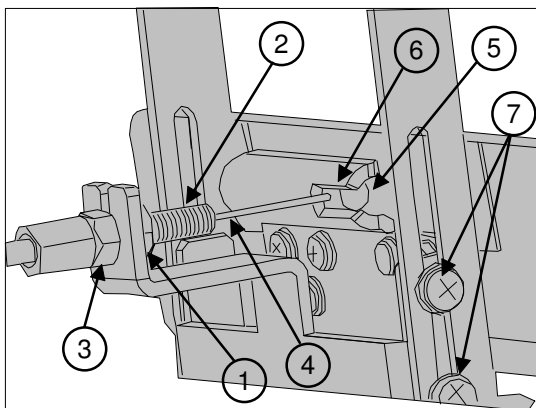


FIG. 2

Insert valve cable end T-bar (5) into the pedal lever (6). (FIG. 2)

3. Use provided #10 screws to attach the pedal. (FIG.4) Pedal position can be adjusted using four screws (7) on side of pedal assembly. (FIG. 2)

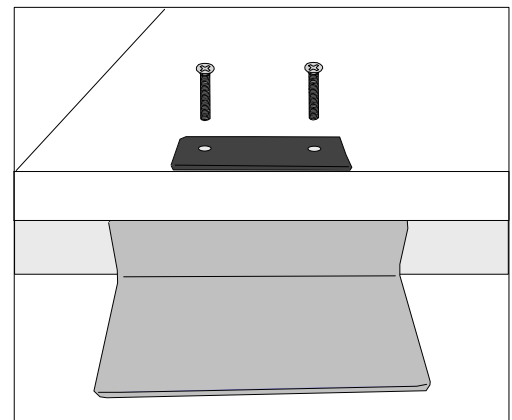


FIG. 4